

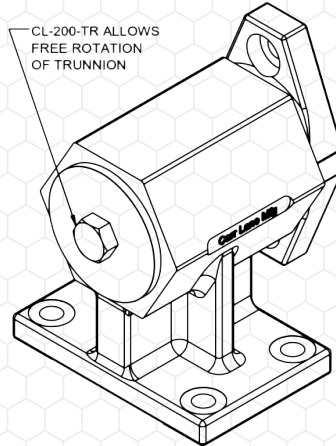
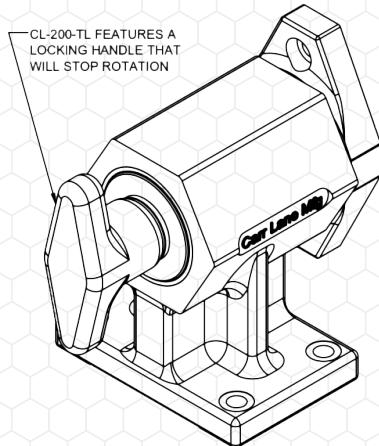


Trunnions

Trunnion bushings are rugged, precision bearing mounts for revolving fixtures. Trunnions are ideal for assembly and welding fixtures, and any other applications where the part must be accessible from all sides.

For heavy loads, use Trunnions in pairs to avoid a large bending moment. One Locking Trunnion and one Revolving Trunnion are often paired together. All Carr Lane Mfg. trunnions are available in two sizes and are proudly made in the USA.

Trunnions



Check out a video of
the trunnion in use:



More specific part
chart information:

